

THE SCREEN MACHINE[®]

SCALPER[™]

(Patent Pending)

614-866-0112
800-837-3344

MADE IN THE USA

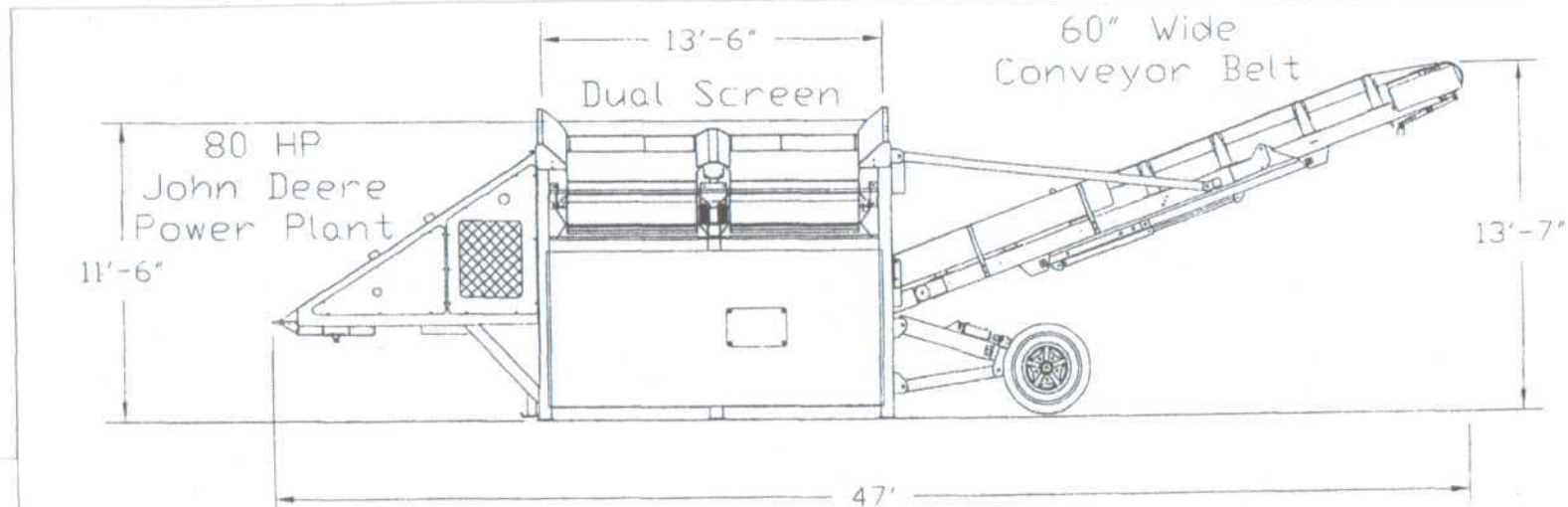


A Heavy Duty *Dual* Screen Processing Plant **THE SCREEN MACHINE®**

SCALPER™ (Patent Pending)

Special Features

- 80hp John Deere® Engine
- Two 7'-0" Long Integrated Vibratory Screens
- Double Deck Screening
- 60" Wide Conveyor Belt with 13' 7" Discharge
- 6" Diameter CEMA D Idlers with 1/4" Wall
- Hydraulic Axle Raise & Lower
- Horsepower to Run an Additional Stacking Conveyor
- Heavy Duty Tubular Structure with Center Supports
- Dual Motor Conveyor Drive
- Grade 80 Steel Wear Plates
- Hydraulic Landing Gear
- Hydraulic Conveyor Fold for Transport
- Self Aligning Idler for Belt Tracking
- Rubber Disc Return Idlers
- Fifth Wheel Pin Transport



Equipment Specialist
Buy • Sell • Lease

MURRYSVILLE MACHINERY COMPANY

1000 COMMERCIAL COURT
IRWIN, PA 15642
PHONE: (724) 863-7000